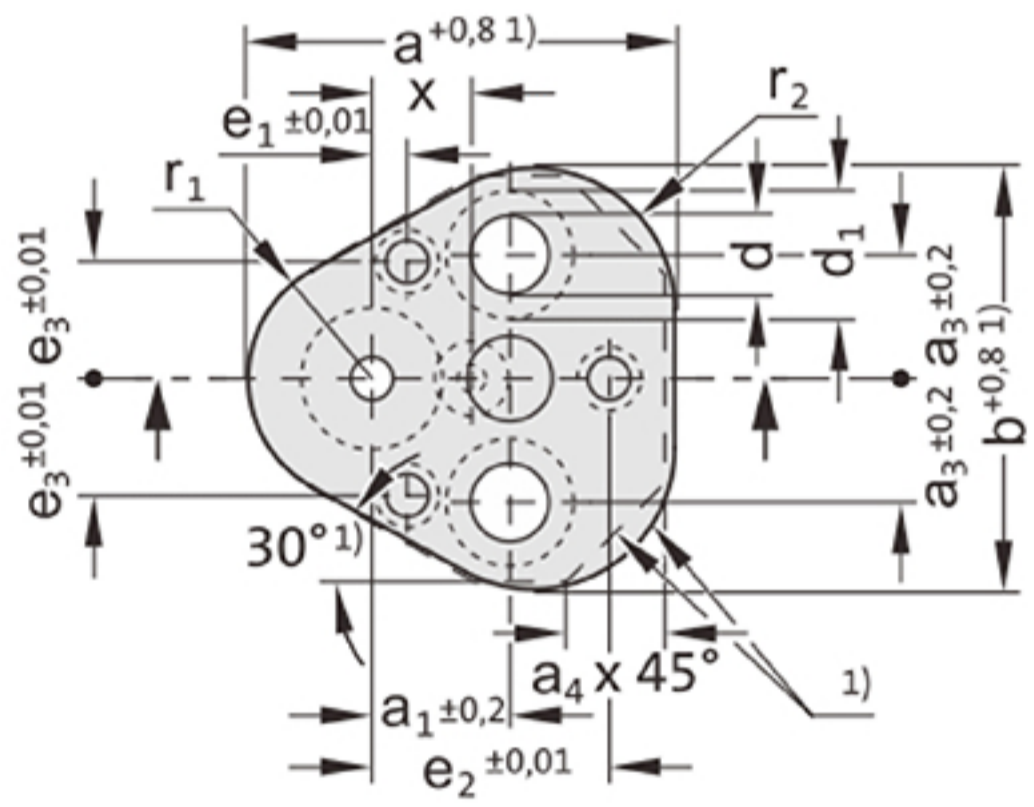
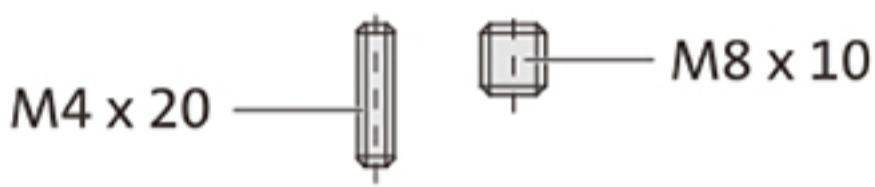
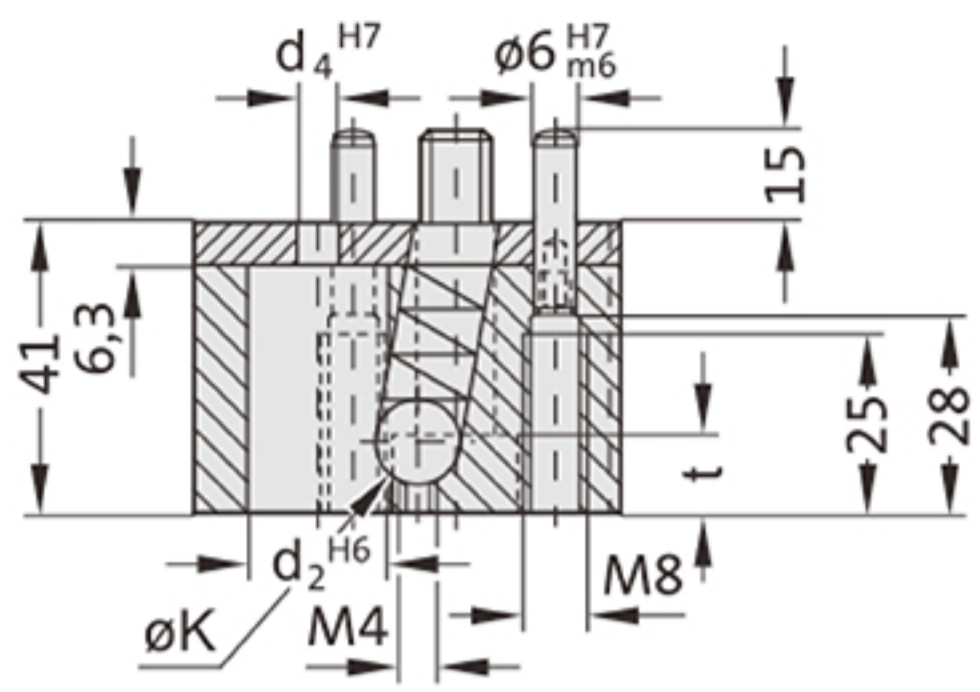


W2664.10.



ORDER Catalog No. W2664.10.10

EM 42CrMo

Catalog No.	d	d1	d2	d4	a	a1	a3	a4	b	e1	e2	e3	øK	t	r1	r2	x
2664.10.10	9	15	10	6	44.5	19	11.1	10	43.7	7.5	26.925	9	10	9	9.5	12	9.8
2664.10.13	9	15	13	6	50.8	19	14.3	12	50	6.5	29.97	12	12	9	12.7	15.2	11.3
2664.10.16	9	15	16	6	54	19	15.9	13	53.2	6	31.75	13.5	12	9	14.3	16.8	12.8
2664.10.20	11	18	20	6	60.3	19	17.5	14	59.5	5	33.53	16.5	12	11	17.5	20	14.8
2664.10.25	13.5	20	25	6	69.9	23.8	19.8	16	69.1	7	40.64	22	12	13.5	22.2	24.7	17.3
2664.10.32	13.5	20	32	6	69.9	23.8	19.8	16	69.1	7	40.64	22	12	13.5	22.2	24.7	20.8
2664.10.40	13.5	20	40	6	77.4	27	24	18	76.6	10	43.993	26	12	13.5	26	28.5	24.8